

Basic Angle Type

-Cordless tools-



• WRTBA-30BCA



• WRTBA-10BOA



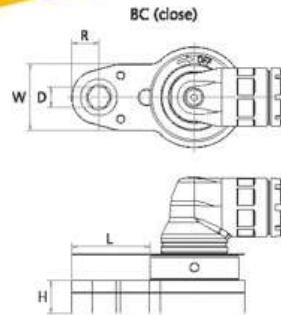
• WRTBA-16ICA



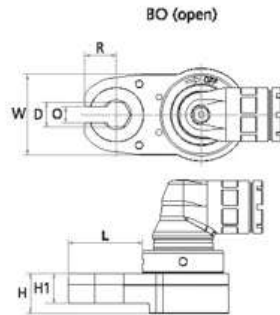
• WRTBA-10IOA

In-Line Type

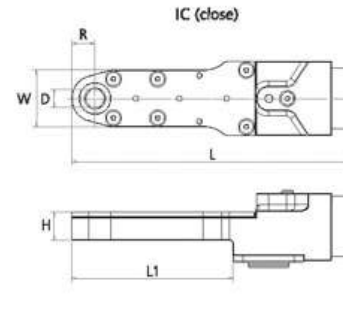
Cordless tools



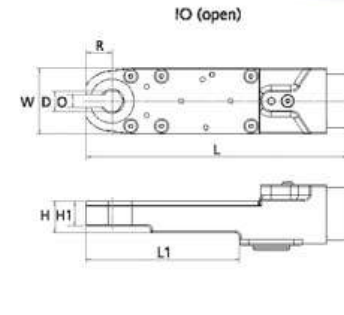
BC (close)



BO (open)



IC (close)



IO (open)

Dimensions

(unit:mm)

Model	W	D	O	R	L	H	H1
BC	32	10	-	13.1	36.7	16	-
BO	42	13	10.2	17	40	21	16

Dimensions

(unit:mm)

Model	W	D	O	R	L	L1	H	H1
IC	32	10	-	13.1	157.3	89.3	16	-
IO	42	13	10.2	17	166.2	98.2	20	16

Model	Type	Volt. V	Max Dimension Max(mm)	Weight w/o Batt. kg	Vibration Value m/s ²	Noise Level dB(A)	Free Speed rpm	Torque Range (N.m)	
								Hard joint	Soft joint
WRTBA-10BCA	close	18	13	2.0	<2.5	<75	950	3-8	3-8
WRTBA-16BCA	close	18	13	2.0	<2.5	<75	600	5-13	5-13
WRTBA-30BCA	close	18	13	2.0	<2.5	<75	450	8-18	8-18
WRTBA-10BOA	open	18	19	2.1	<2.5	<75	950	3-7	3-7
WRTBA-16BOA	open	18	19	2.1	<2.5	<75	600	5-12	5-12
WRTBA-30BOA	open	18	19	2.1	<2.5	<75	450	8-17	8-17

Model	Type	Volt. V	Max Dimension Max(mm)	Weight w/o Batt. kg	Vibration Value m/s ²	Noise Level dB(A)	Free Speed rpm	Torque Range (N.m)	
								Hard joint	Soft joint
WRTBA-10ICA	close	18	13	2.2	<2.5	<75	620	5-11	5-11
WRTBA-16ICA	close	18	13	2.2	<2.5	<75	380	8-17	8-17
WRTBA-30ICA	close	18	13	2.2	<2.5	<75	300	11-23	11-23
WRTBA-10IOA	open	18	19	2.3	<2.5	<75	420	7-13	7-13
WRTBA-16IOA	open	18	19	2.3	<2.5	<75	270	10-22	10-22
WRTBA-30IOA	open	18	19	2.3	<2.5	<75	200	13-28	13-28

Customization Available

- Please fill in the Request Form for your desired Geared Offset Heads type power tool.

Model	Torque Range (N.m)	W	D	O	R	L	H	H1
<input type="checkbox"/> BC								
<input type="checkbox"/> BO								

Customization Available

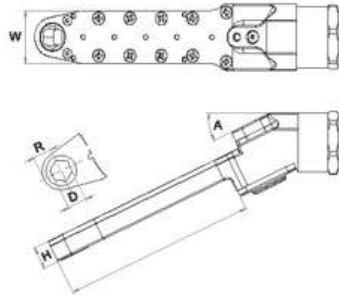
- Please fill in the Request Form for your desired Geared Offset Heads type power tool.

Model	Torque Range (N.m)	W	D	O	R	L	H	H1
<input type="checkbox"/> IC								
<input type="checkbox"/> IO								

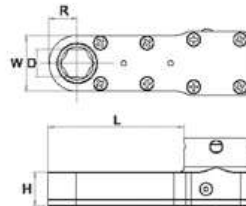
Geared Heads



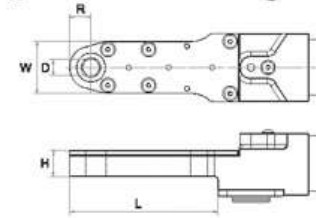
GAC



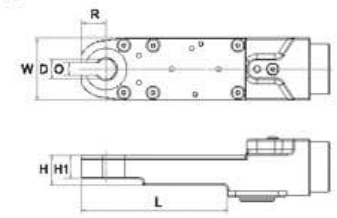
GBC



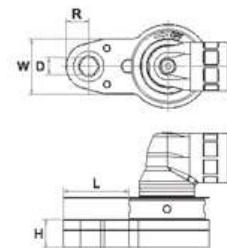
IC



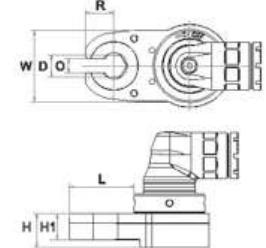
IO



BC



BO



Customization Available

- Please fill in the Request Forms for your desired geared head type.

√	Type	Torque Range (N.m)	W (mm)	OD (mm)	R (mm)	H (mm)	L (mm)	A (Angle)
	GAC							26°
	GBC							90°

Note: If to purchase gear heads only, dimension drawings of the corresponding part are required to be provided properly to Tranmax.

√	Type	Torque Range (N.m)	W (mm)	OD (mm)	O (mm)	R (mm)	L (mm)	H (mm)	H1 (mm)
	IC								
	IO								
	BC								
	BO								